

# TTU-4

## Two-Way Talk-Thru Communications System

### Installation Instructions

1. Mount the TTU unit using the method shown in figure 1.
2. Remove the control panel (the circuit board is attached to it) from the Inmate unit.
3. Route the two pair cable (with connector on one end) FROM the Inmate unit TO the Visitor unit. Make sure the connector is in the inside unit. attach the cable to the terminal block on the Visitor unit, color to color. Connect shield to black wire. Join the connector with the wire harness from the printed circuit board so the colors line up.
4. For power connection, route the one pair cable (with the connector on one end) FROM the Inmate unit TO the location of the PS-1 Power supply. Connect the conductors to the power supply (RED to +, BLACK to -). Plug the connector to its mate from the printed circuit board

### Installation Notes

1. Drill holes on the housing where required for installation.
2. The "Inmate" unit houses the circuit board for the system, volume controls, and speaker.
3. The "Visitor" unit has no electronics. A speaker and a microphone are Attached to the "Visitor" unit.
4. The sound absorbing material in the housing may be removed during installation but should be replaced for normal operation.
5. **For best result separate units as far as possible.**

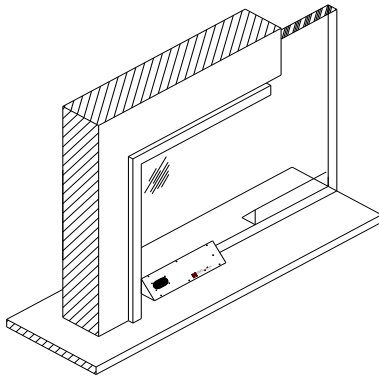
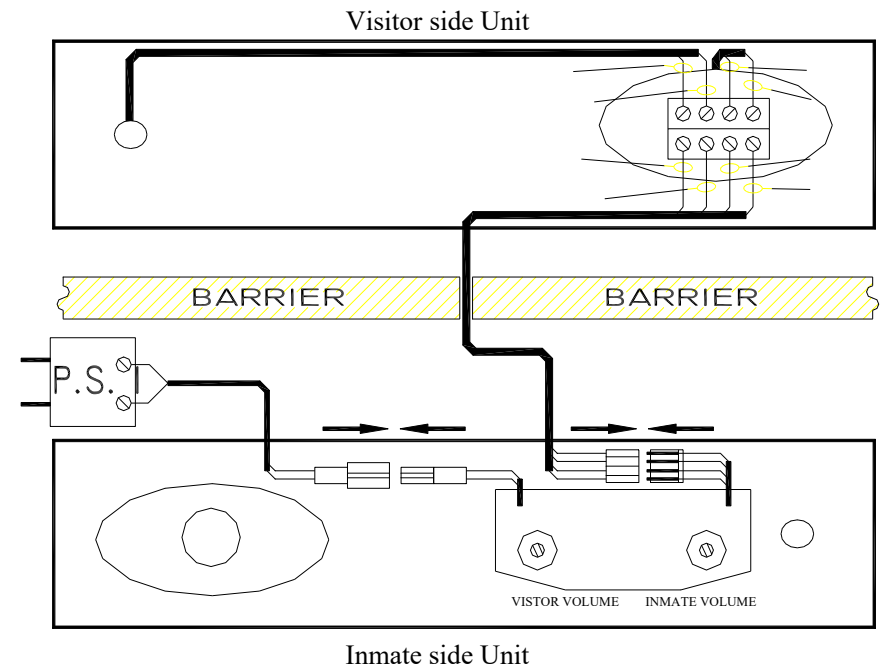


Fig. 1

### Operation Instructions

1. The volume controls of the unit were properly pre-set in the factory and ready to use. In case re-adjustment is needed, turn the power switch off, turn "Inmate Side Volume" and "Visitor Side Volume" controls completely counterclockwise.
2. Turn power switch on.
3. Adjust the "Inmate Side Volume" control until the Visitor is clearly heard by the Inmate Side when the Inmate Side is speaking to the microphone at normal speaking level.
4. Adjust the "Visitor Side Volume" control until the Visitor is clearly heard when speaking at a normal level.



**NORCON COMMUNICATIONS, Inc.**  
**Service Policy**



TALK-THRU SYSTEM WARRANTY REPAIRS

Norcon Communications Inc. warrants the products Manufactured by Norcon to be free from defects in material and workmanship for a period of one year from the date of shipment from the factory provided:

1) The product has not been abused, misused or improperly maintained, repaired and /or modified during such period, and 2) such defect is not a result of voltage surges/ burnouts, lightning, water damage / flooding, fire, explosion, earthquakes, tornadoes, acts of aggressions / war or similar phenomenon; and 3) the product has been properly installed according to the appropriate Norcon Installation Guide.

Both incoming and outgoing freight charges are at customer's expenses. Domestic repair will be returned to customer by UPS Ground. International repair will be returned to customer using normal shipping arrangements. Any other shipping instructions must be made in writing and will be at the customer's expense.

# TTU- 4

**Mod-M**

*Counter mount Two-way Talk-Thru  
Communications system  
With Monitor Out*

## **Instructions**

Norcon Communications, Inc.  
510 Burnside Avenue  
Inwood, L.I. NY11096  
(516) 239-0300 Fax (516) 239-8915  
[www.talk-thru.com](http://www.talk-thru.com)