

TTU[®]-3X

Counter-Top
2-Way Talk Thru™
Electronic Communication
System

N[®] Norcon
TTU Systems

The counter-top Communication System for locations where it is impractical to cut a hole in the barrier

There are times when it's impractical, for various reasons, to cut a 3- to 4- inch hole through an isolation barrier or to mount a communicator in a window or secure gate. But your employees and your customers still have a way to communicate — clearly and calmly. In such cases, the Norcon TTU-3X is the communication system of choice. The prism shaped units of the TTU-3X are ideal for mounting on a counter top on both sides of a barrier. Yet they allow hands free communications through barriers typically found in banks, cashier's booths, information booths and similar environments.

The TTU-3X incorporates the same high-quality electronics as the basic Patent Pending (#4049911) Norcon TTU-1X Talk-Thru system. It is a vox system, enabling the attendant and the customer to have hands free two way communication.

The TTU-3X provides clear communication even in environments with high ambient noise by shaping the sound for maximum intelligibility. Its compression circuitry decreases loud, annoying sounds.

The TTU-3X Talk-Thru Communicator now incorporates circuitry to automatically attenuate the outside channel. If the gooseneck microphone is not used for a period of 30 seconds, the outside channel volume will be reduced

approximately 70%. Normal operation is restored as soon as the attendant speaks into the gooseneck microphone. The automatic volume attenuation circuit prevents outside noise from bothering the attendant.

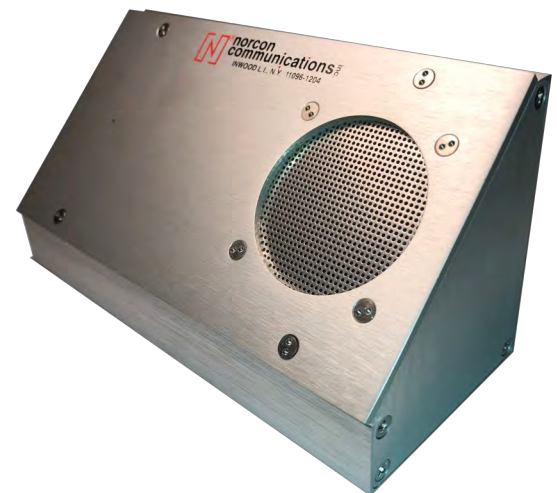
The TTU-3X is equipped with a Jack to add a headset or wireless headset. Simply plug the headset in and communicate. The headset contains light weight construction, a boom mic and a single speaker that covers one ear.

HOW TO INSTALL...

The TTU-3X comes ready to operate. The prism units are quickly and easily mounted on the counter-top on opposite sides of the barrier. The unit can be positioned back-to-back (as shown), however, it is not required to mount the units against the barrier. The unit can be mounted at a convenient location for the user. A power adapter and all cables are supplied. The TTU-3X is supplied with a continuous-duty, 90-240VAC power supply which is stepped down to 15 Volts



INSIDE UNIT



OUTSIDE UNIT

Norcon TTU-3X Talk Thru System™

FEATURES

- Clear 2-way hands-free voice communication (vox).
- Quality electronic design and engineering.
- Avoids shouting, repetition, misunderstanding.
- Rugged, tamper-resistant materials.
- Removable 18" XLR mic. Optional 8" and 24" mic available on request
- Simple, one-person installation. No need to cut a hole in the barrier.
- Compact, contemporary design. Fits any decor.
- Bullet resistant option.
- Units available for ADA applications.
- Built in U.S.A with local and imported components
- Built in jack for headset

SPECIFICATIONS

MECHANICAL

- Outside assembly: 5 in. dia x 1/2 in. deep outside; 1 in. deep inside; solid aluminum, clear anodized finish, tamper resistant.
- Inside assembly: 6 in. W x 2³/₈ in. H x 2³/₈ in. D Machined aluminum, clear anodized finish, tamper resistant. weight: 2 lbs.
- Mounting: window / countertop

Inside assembly Panel
Controls: Listen volume, Talk volume, power on/off, LED

ELECTRONIC

- Audio frequency response: Selectively shaped for maximum voice intelligibility
- Audio power: 2 Watts per amplifier (2 amplifiers)
- Distortion: Less than 2%
- Listen mode: 20 dB compression
- Talk mode: Vox
- Microphones: Electret
- Power supply:
Input: 90-240 VAC, 60 Hz
Output: 15 VDC, 1A
CE,UL approved Level VI power adapter

Talk-Thru systems are shipped complete with cables, instructions, and power supplies. Mounting hardware is not included.

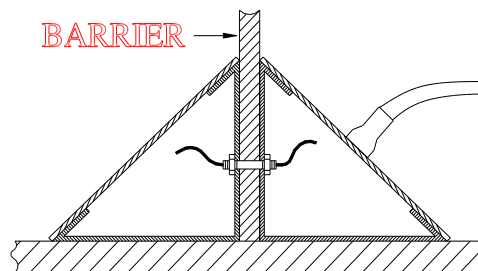
Specifications are subject to change without notice.

Other available models

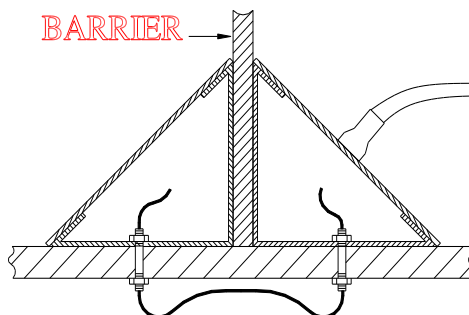
- ♦ TTU-1AX Continuous power unit complete
Housing depth is 2 1/2 in.
- ♦ TTU-1ABX same as TTU-1A, but with bullet-resistant option (UL Level 3)
- ♦ TTU-1DX Battery operated unit complete with rechargeable batteries and charger. Housing depth is 3 1/2 in.
- ♦ TTU-1DBX same as TTU-1DX, but with bullet resistant option (UL Level 3)
- ♦ TTU-7X Counter mount inside unit and the Window unit, for use where window shade is used
- ♦ TTU-NC noise cancelling Talk-Thru unit now incorporates circuitry to automatically attenuate the outside ambient noise by 26db to 30db. This feature can be added, on to any of the Talk thru communicators models, except the battery operated TTU-1DX. Ideal for high ambient noise environment

MOUNTING DETAILS

"A" TYPE MOUNTING



"B" TYPE MOUNTING



- ♦ TTU-NCHS wired Headset for TTU products
- ♦ TTU-WHS Wireless headset for TTU products